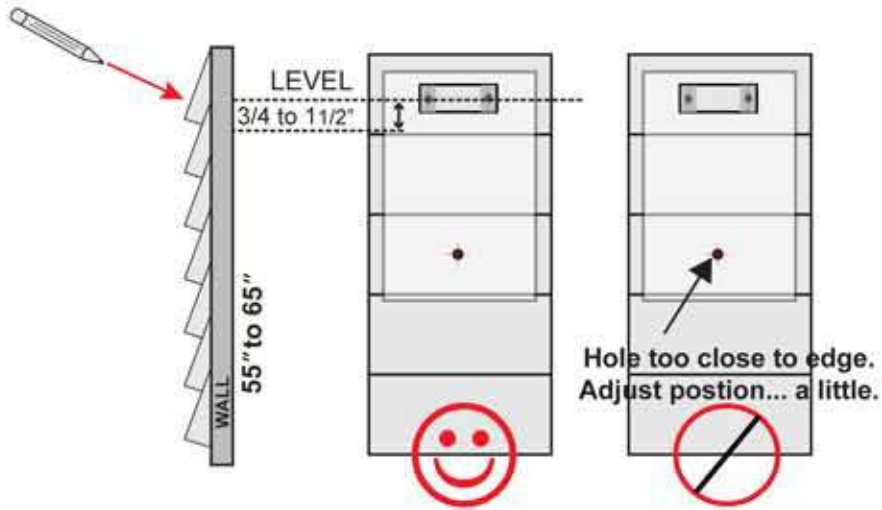
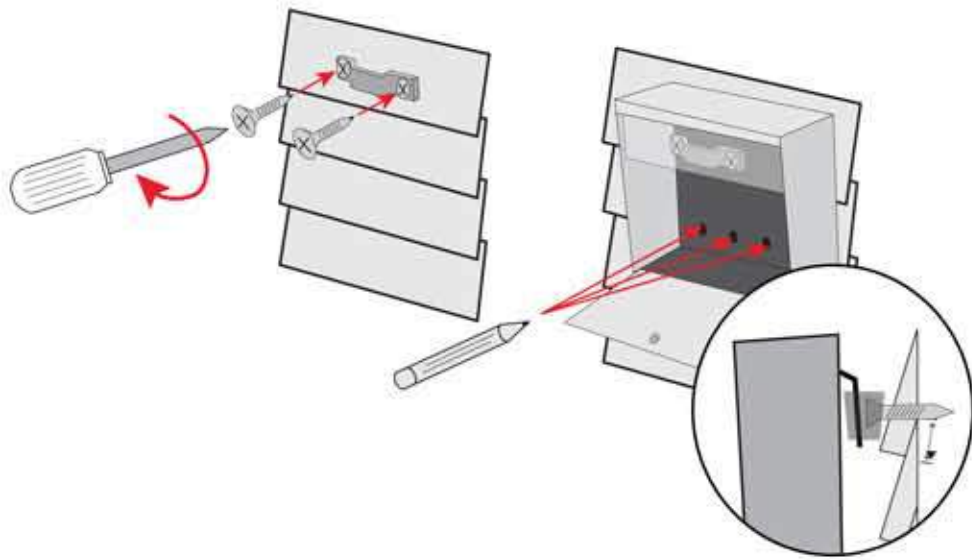


Installation of Metro mailbox onto a bevel sided/shingled exterior wall

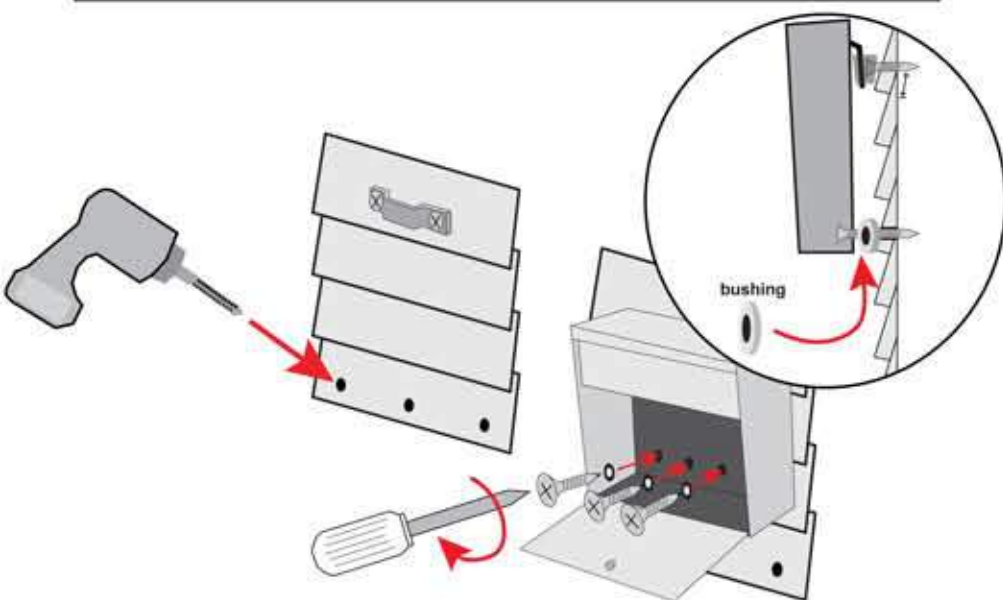
1 Using the hole template on this instruction sheet, lay out the top two holes on the wall at about 55" to 65" high. You may adjust the height up or down to your preference. If mounting onto bevel siding, position the top holes about 3/4" to 1 1/2" away from the peak of the bevel so as not to split the wood. Also adjust up or down a little to make sure bottom hole does not line up on the edge of bevel. The top two holes should be close to level. Mark the top hole locations.



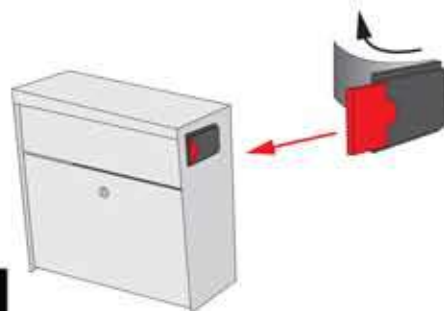
2 Using a 1/8" drill bit, drill the top two pilot holes approximately 2" deep into the wall material. Attach the mounting bracket using the two 2 1/4" screws provided. Be sure to put some water resistant caulk into the holes. Now hang the Metro from the brackets shown and mark the bottom three holes with a pencil.



3 Using a 1/8" drill bit, drill the bottom three pilot holes approximately 2" deep into the wall material. Now hang our Metro from the the mounting bracket. If there is a large gap between the Metro and the wall insert a bushing on the screw. Insert some water resistant caulk into the hole and secure to bottom using the remaining three 2 1/4" screws provided.



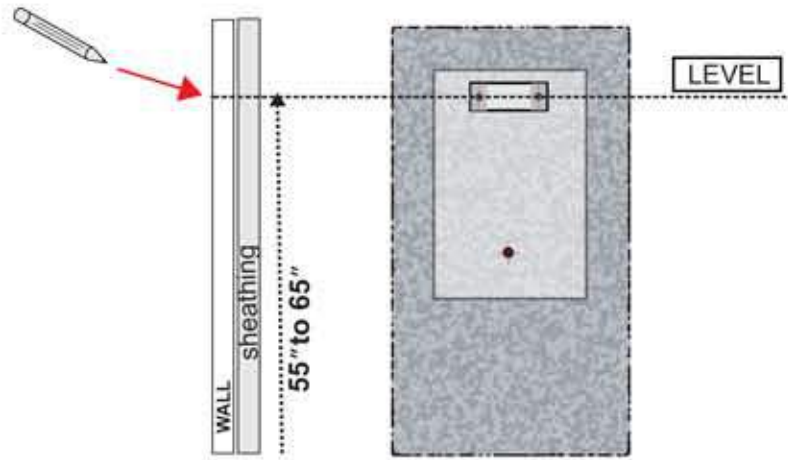
4 Locate the carrier flag and remove the sticky sided tape shield from the back. Making sure the mailbox is clean, apply pressure while attaching the flag as shown, about 1/2" inch back from the front and top corners of the box.



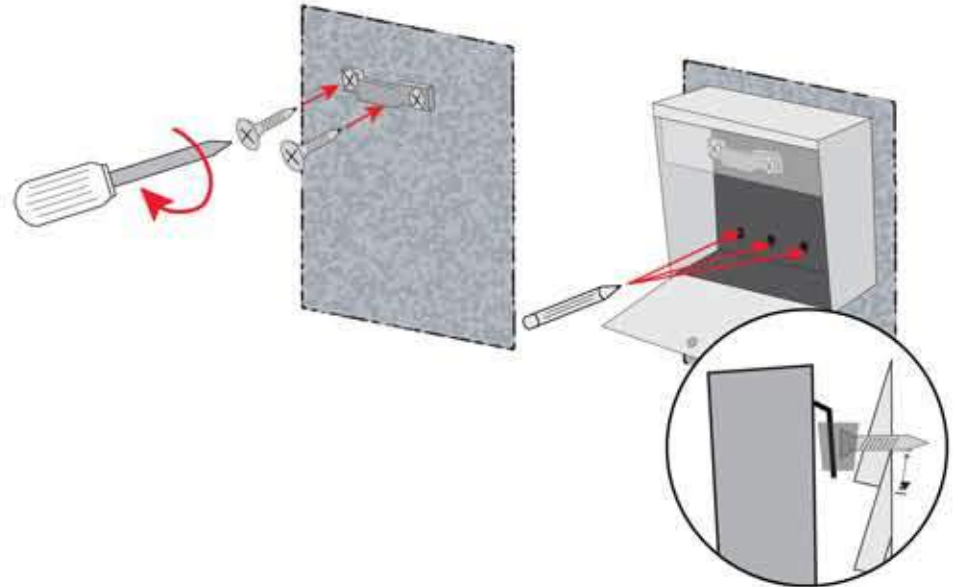
Installation of Metro mailbox onto stucco or masonry.

(for EIFS "faux" stucco, consult EIFS manufacturer)

1 Using the hole template on this instruction sheet, lay out the top two holes on the wall at about 55" to 65" high. You may adjust up or down to your preference. Mark the top hole locations. Make sure the two holes are level.



2 Using a masonry style drill bit(not provided), drill the top two pilot holes approximately 2" deep into the wall material and into the sheathing. Attach the mounting bracket using the two 2 1/4" screws provided. If the wall is a thick concrete, stucco, brick or some other system, you will probably have to use masonry screws or anchors. Consult a contractor if necessary. Be sure to use a water resistant caulk in the holes to keep moisture out. Hang the Metro from the bracket as shown and mark the bottom three holes with a pencil.



3 Using a masonry style drill bit(not provided), drill the bottom three pilot holes approximately 2" deep into the wall material. Now hang the Metro from the mounting bracket and secure to bottom using the three 2 1/4" screws provided. Be sure to put some weather resistant caulk into the holes. If your wall is a thick brick, stucco or concrete you may need masonry screws or anchors for attachment. Consult a contractor if necessary.

