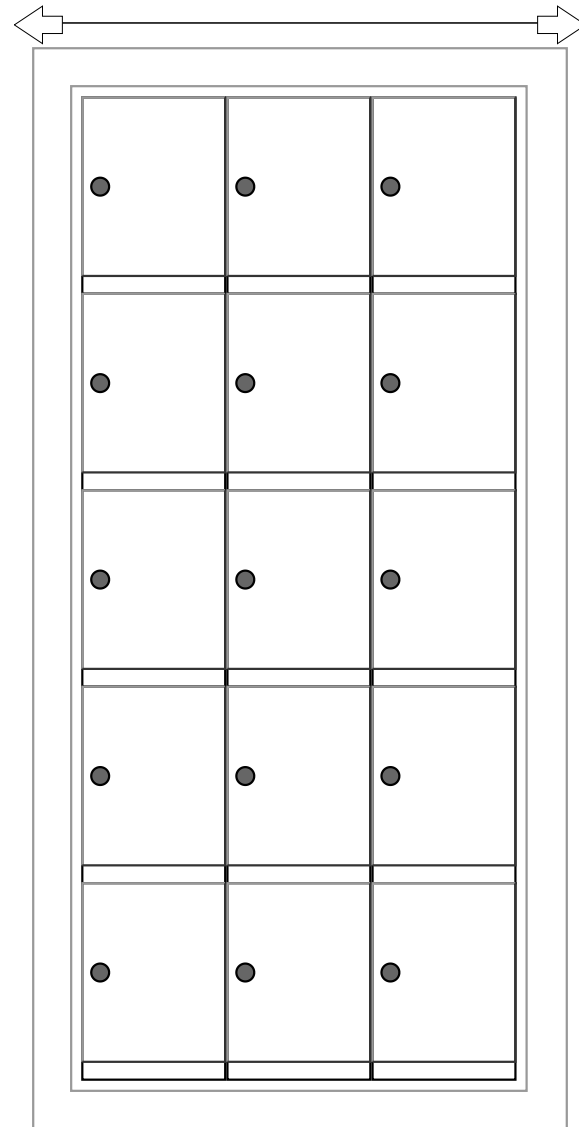


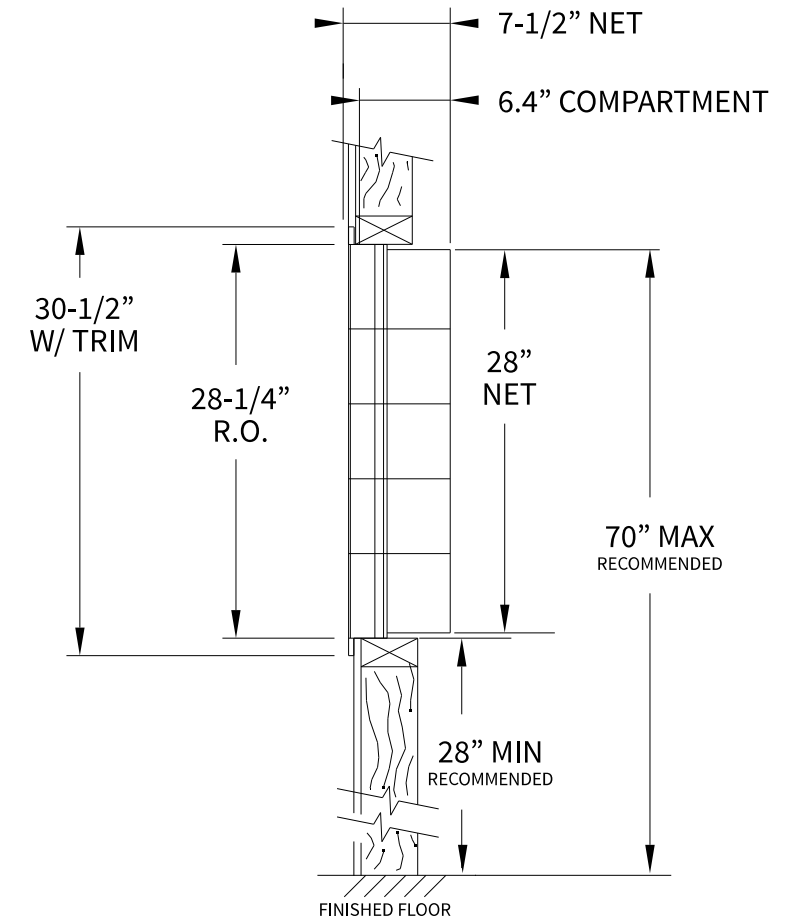
MINI53 Dimensions

Overall Width w/ Trim: 16-1/4"
(Rough Opening: 14")



MINI53

Side View



Configuration Details:

- 1. **Product Type:** Mini Storage Locker
- 2. **Installation:** No Master Access, Recessed Mount
- 3. **Finish:** Anodized Aluminum
- 4. **Locks:** Standard Cam Lock, 2 keys
- 5. **Door Id:** tbd

Matching standard snap-on trim included

Models Used:

(1) MINI53

DO NOT SCALE OFF DRAWING

Door Sizes Used:

(15) MINI-A 1x1 Compartment

ELEVATION: MINI53 | **LOCKERS:** 15 |

PROJECT NAME: Mini Storage Lockers | **DRAWN BY:** FLORENCE



1743 Quincy Ave. Suite 151
Naperville, IL 60540
800-824-9985
www.MailboxWorks.com

DATE: 01-15-2016

P.O. NO:

SCALE: NONE

QUOTE NO:

DRAWING NO. WEB-1932

SHEET 1 OF 1