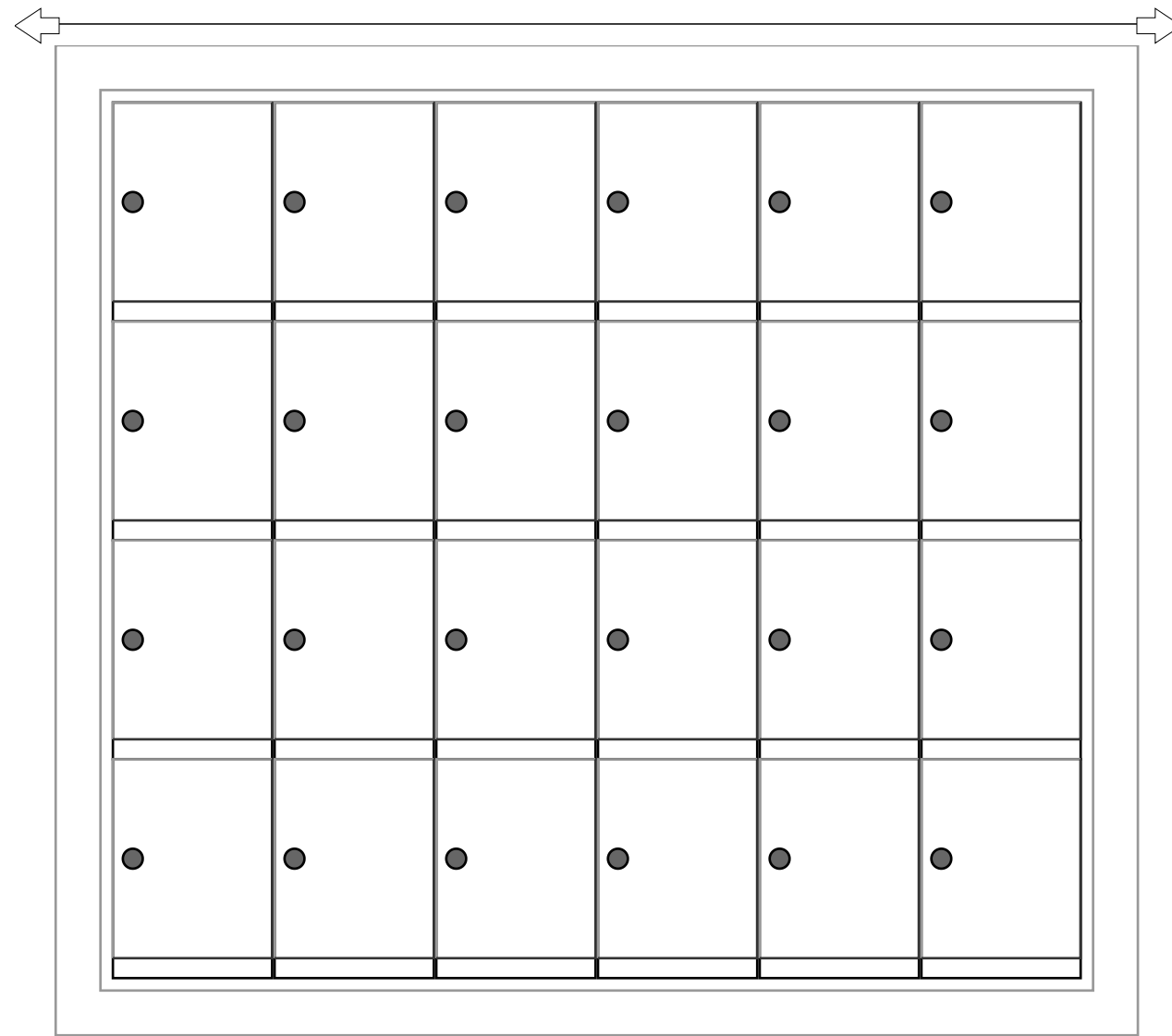


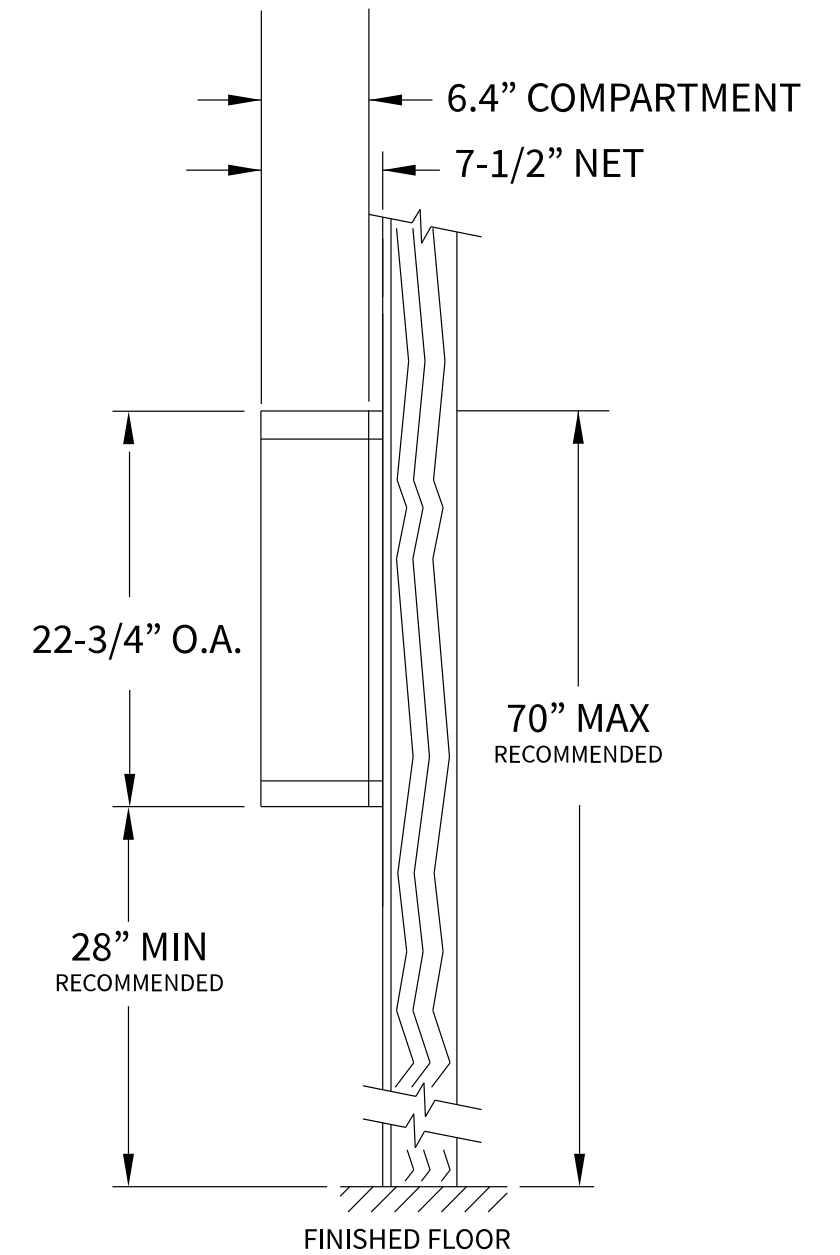
**MINI46S Dimensions**

Overall Width w/ Trim: 28-7/16"



**MINI46S**

**Side View**



**Configuration Details:**

1. **Product Type:** Mini Storage Locker
2. **Installation:** No Master Access, Surface Mount
3. **Finish:** Anodized Aluminum
4. **Locks:** Standard Cam Lock, 2 keys
5. **Door Id:** tbd

Matching standard snap-on trim included

**Models Used:**

(1) MINI46S

**Door Sizes Used:**

(24) MINI-A 1x1 Compartment

**DO NOT SCALE OFF DRAWING**

**ELEVATION:** MINI46S | **LOCKERS:** 24 |

**PROJECT NAME:** Mini Storage Lockers | **DRAWN BY:** FLORENCE



1743 Quincy Ave. Suite 151  
 Naperville, IL 60540  
 800-824-9985  
 www.MailboxWorks.com

<b>DATE:</b> 01-15-2016	<b>P.O. NO:</b>
<b>SCALE:</b> NONE	<b>QUOTE NO:</b>
<b>DRAWING NO.</b> WEB-1932	<b>SHEET 1 OF 1</b>