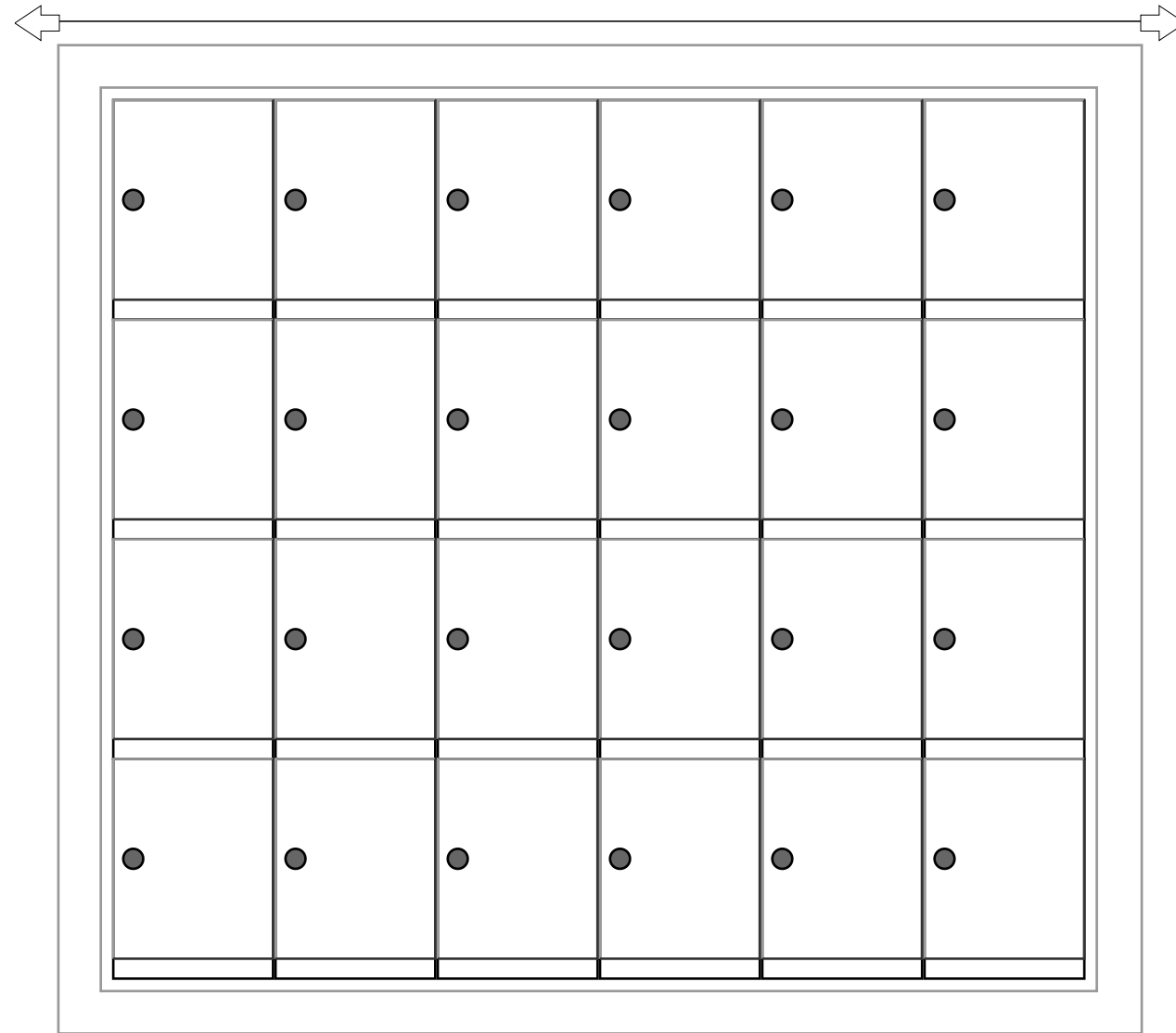


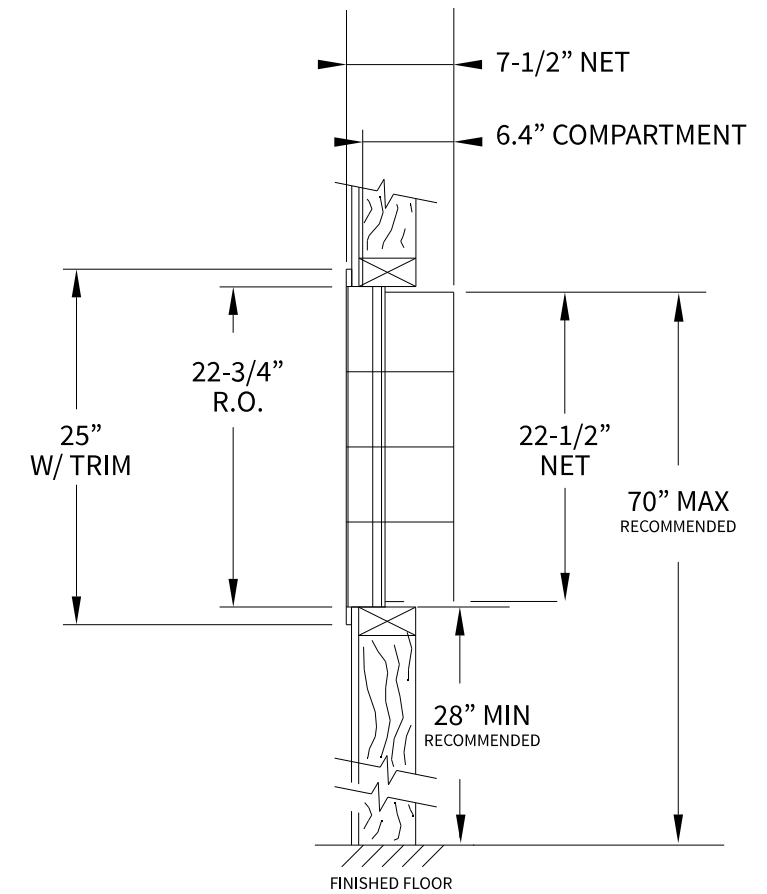
MINI46 Dimensions

Overall Width w/ Trim: 28-7/16"
(Rough Opening: 26-3/16")



MINI46

Side View



Configuration Details:

1. **Product Type:** Mini Storage Locker
2. **Installation:** No Master Access, Recessed Mount
3. **Finish:** Anodized Aluminum
4. **Locks:** Standard Cam Lock, 2 keys
5. **Door Id:** tbd

Matching standard snap-on trim included

Models Used:

(1) MINI46

DO NOT SCALE OFF DRAWING

Door Sizes Used:

(24) MINI-A 1x1 Compartment

ELEVATION: MINI46 | **LOCKERS:** 24 |

PROJECT NAME: Mini Storage Lockers

DRAWN BY: FLORENCE

The Mailbox Works

1743 Quincy Ave. Suite 151
Naperville, IL 60540
800-824-9985
www.MailboxWorks.com

DATE: 01-15-2016

P.O. NO:

SCALE: NONE

QUOTE NO:

DRAWING NO. WEB-1932

SHEET 1 OF 1