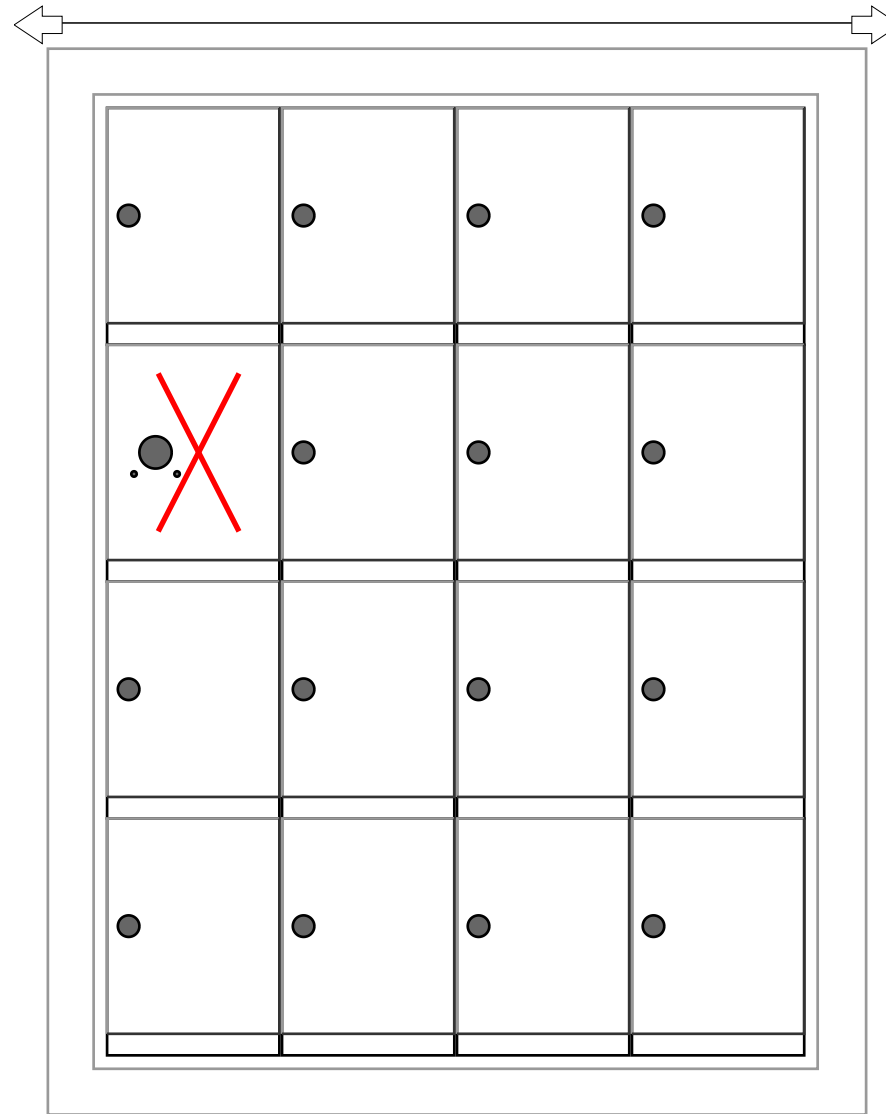


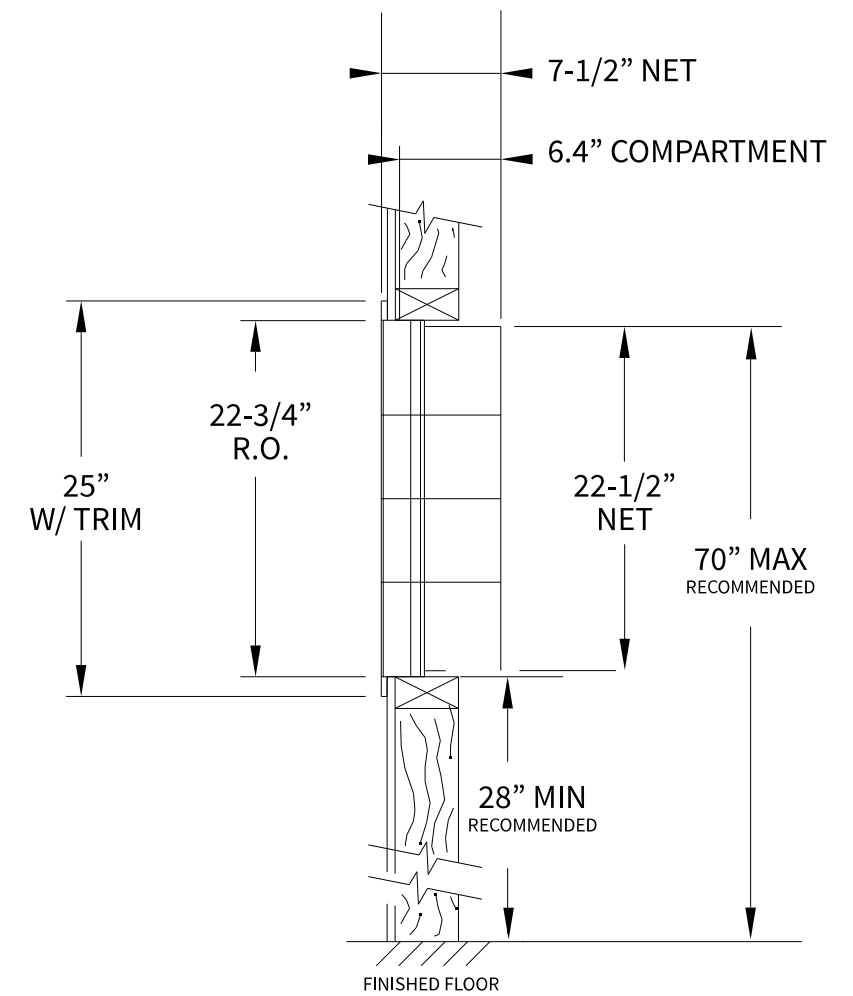
**MINI44F Dimensions**

Overall Width w/ Trim: 20-5/16"  
(Rough Opening: 18-1/16")



**MINI44F**

**Side View**



**Configuration Details:**

- 1. **Product Type:** Mini Storage Locker
- 2. **Installation:** Front-load, Recessed Mount
- 3. **Finish:** Anodized Aluminum
- 4. **Locks:** Standard Cam Lock, 2 keys
- 5. **Door Id:** tbd

Matching standard snap-on trim included

**Models Used:**

(1) MINI44F

**DO NOT SCALE OFF DRAWING**

**Door Sizes Used:**

(15) MINI-A 1x1 Compartment  
(1) 1x1 Master

**ELEVATION:** MINI44F | **LOCKERS:** 15 |

**PROJECT NAME:** Mini Storage Lockers | **DRAWN BY:** FLORENCE



1743 Quincy Ave. Suite 151  
Naperville, IL 60540  
800-824-9985  
www.MailboxWorks.com

**DATE:** 01-15-2016

**P.O. NO:**

**SCALE:** NONE

**QUOTE NO:**

**DRAWING NO.** WEB-1932

**SHEET 1 OF 1**