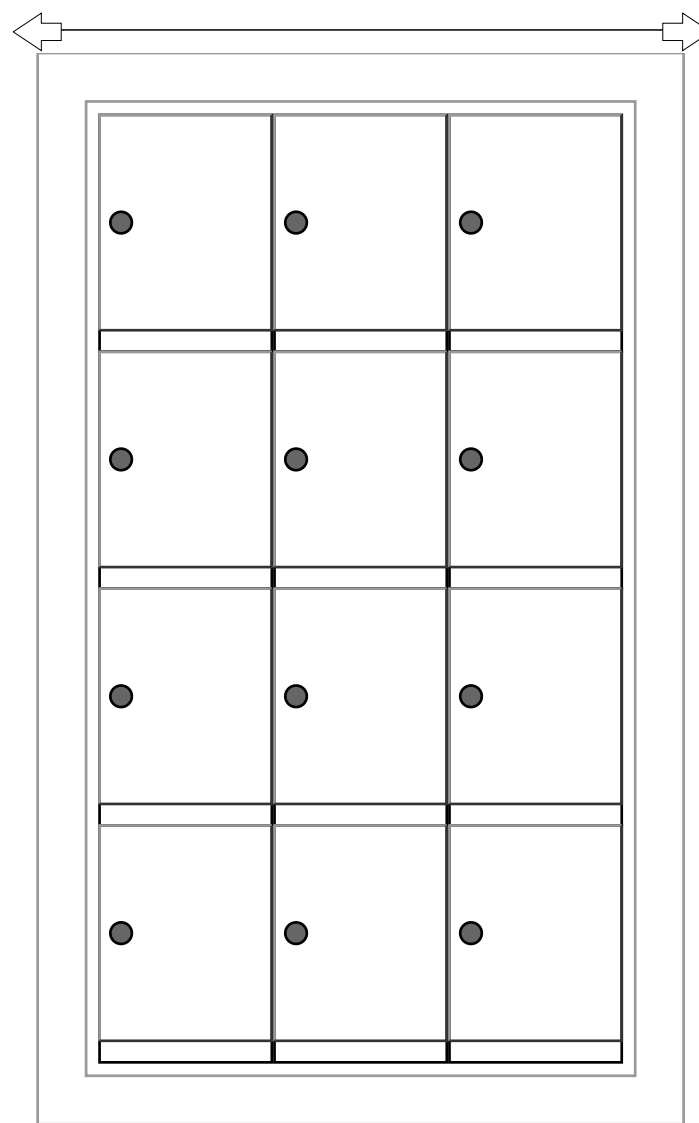


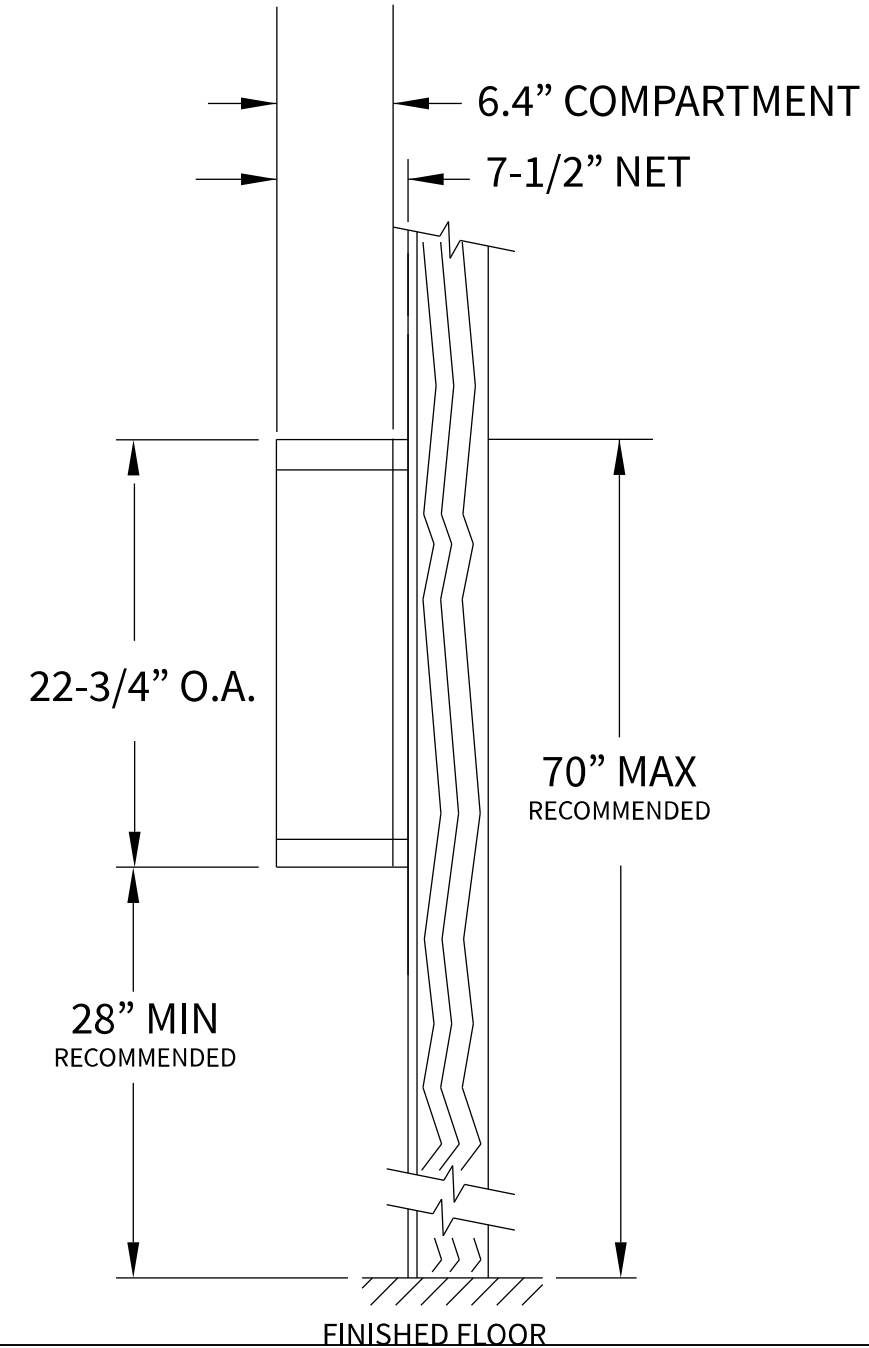
MINI43S Dimensions

Overall Width w/ Trim: 16-1/4"



MINI43S

Side View



Configuration Details:

- 1. **Product Type:** Mini Storage Locker
- 2. **Installation:** No Master Access, Surface Mount
- 3. **Finish:** Anodized Aluminum
- 4. **Locks:** Standard Cam Lock, 2 keys
- 5. **Door Id:** tbd

Matching standard snap-on trim included

Models Used:

(1) MINI43S

Door Sizes Used:

(12) MINI-A 1x1 Compartment

DO NOT SCALE OFF DRAWING

ELEVATION: MINI43S | **LOCKERS:** 12 |

PROJECT NAME: Mini Storage Lockers | **DRAWN BY:** FLORENCE



1743 Quincy Ave. Suite 151
Naperville, IL 60540
800-824-9985
www.MailboxWorks.com

| | |
|-----------------------------|---------------------|
| DATE: 01-15-2016 | P.O. NO: |
| SCALE: NONE | QUOTE NO: |
| DRAWING NO. WEB-1932 | SHEET 1 OF 1 |