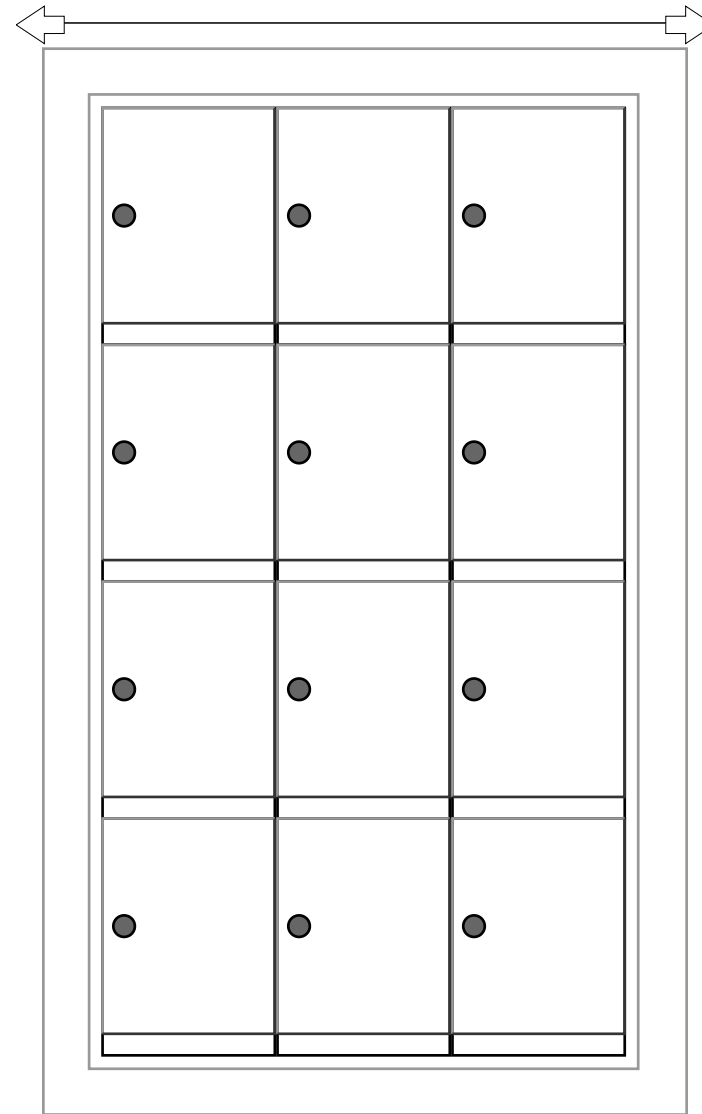


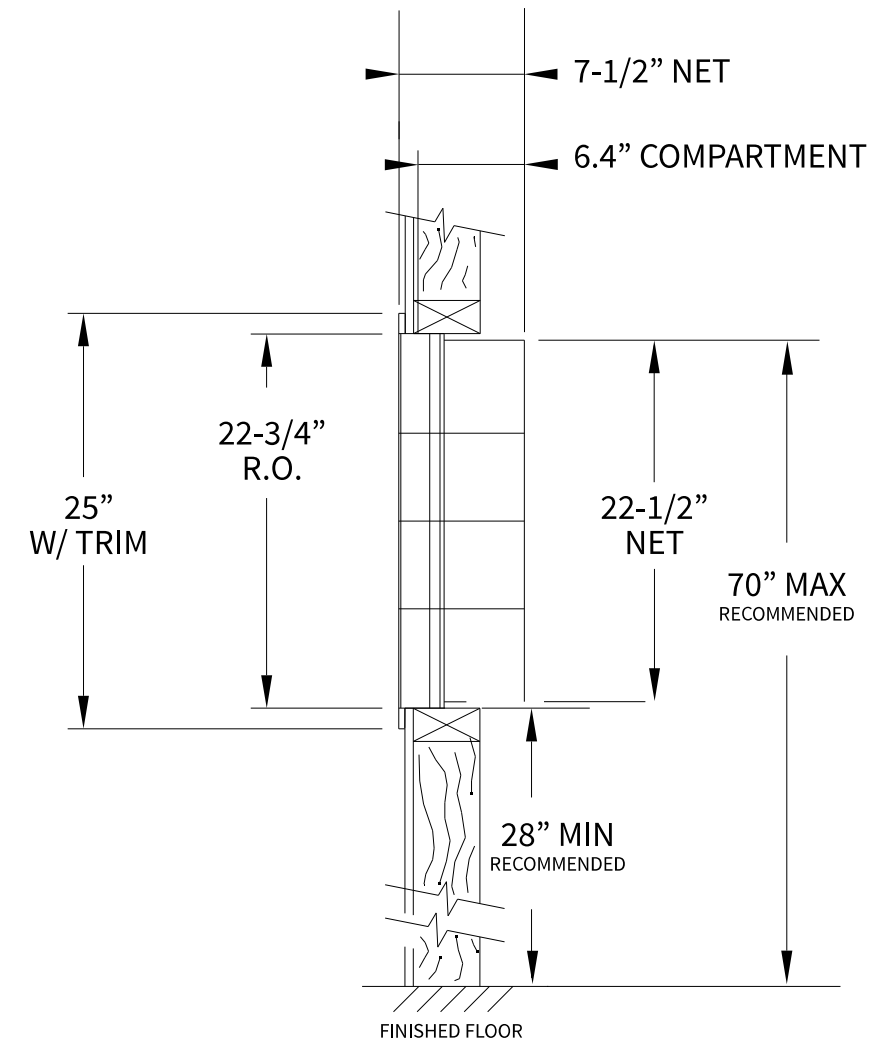
MINI43 Dimensions

Overall Width w/ Trim: 16-1/4"
(Rough Opening: 14")



MINI43

Side View



Configuration Details:

- 1. **Product Type:** Mini Storage Locker
- 2. **Installation:** No Master Access, Recessed Mount
- 3. **Finish:** Anodized Aluminum
- 4. **Locks:** Standard Cam Lock, 2 keys
- 5. **Door Id:** tbd

Matching standard snap-on trim included

Models Used:

(1) MINI43

Door Sizes Used:

(12) MINI-A 1x1 Compartment

DO NOT SCALE OFF DRAWING

ELEVATION: MINI43 | **LOCKERS:** 12 |

PROJECT NAME: Mini Storage Lockers | **DRAWN BY:** FLORENCE



1743 Quincy Ave. Suite 151
Naperville, IL 60540
800-824-9985
www.MailboxWorks.com

DATE: 01-15-2016	P.O. NO:
SCALE: NONE	QUOTE NO:
DRAWING NO. WEB-1932	SHEET 1 OF 1