

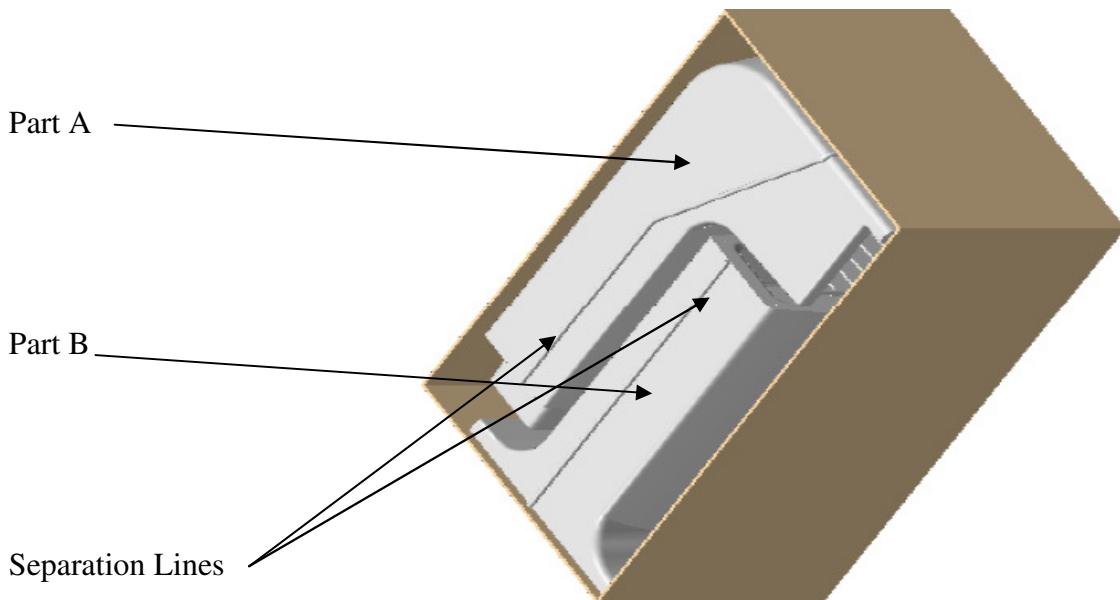
Assembly Instructions for Mail Safe Mailbox

Thank you for ordering your Mail Safe mail box. You will find that it comes in a box similar to the one below and only requires a **Phillips head screwdriver** for assembly.

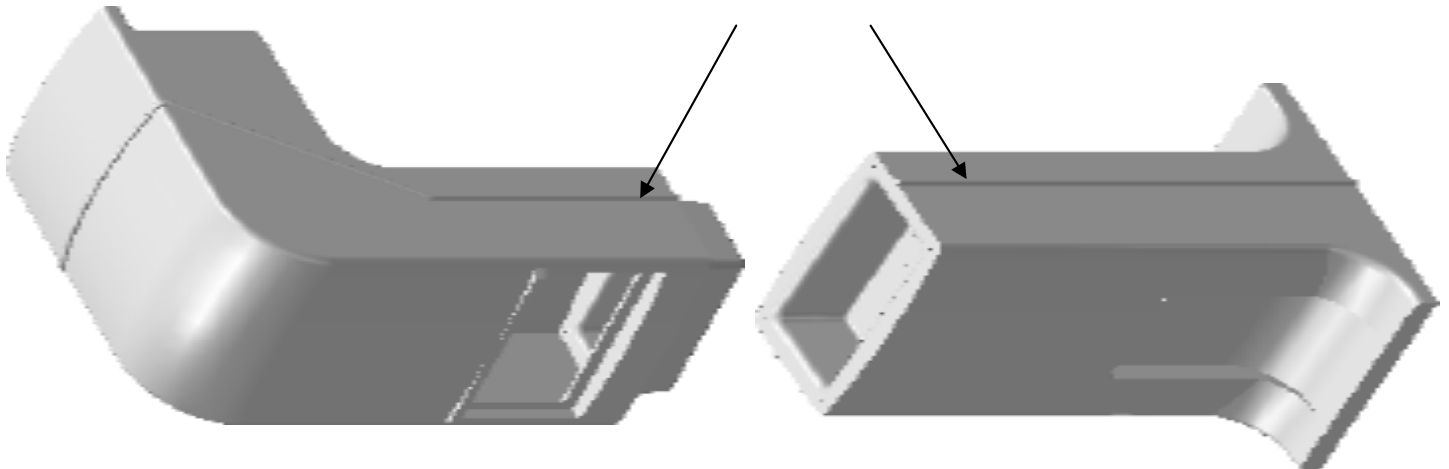
In the box you should find a sealed plastic bag with:

- 1, 2 Keys
- 2, 4 screws
- 3, 4 washers

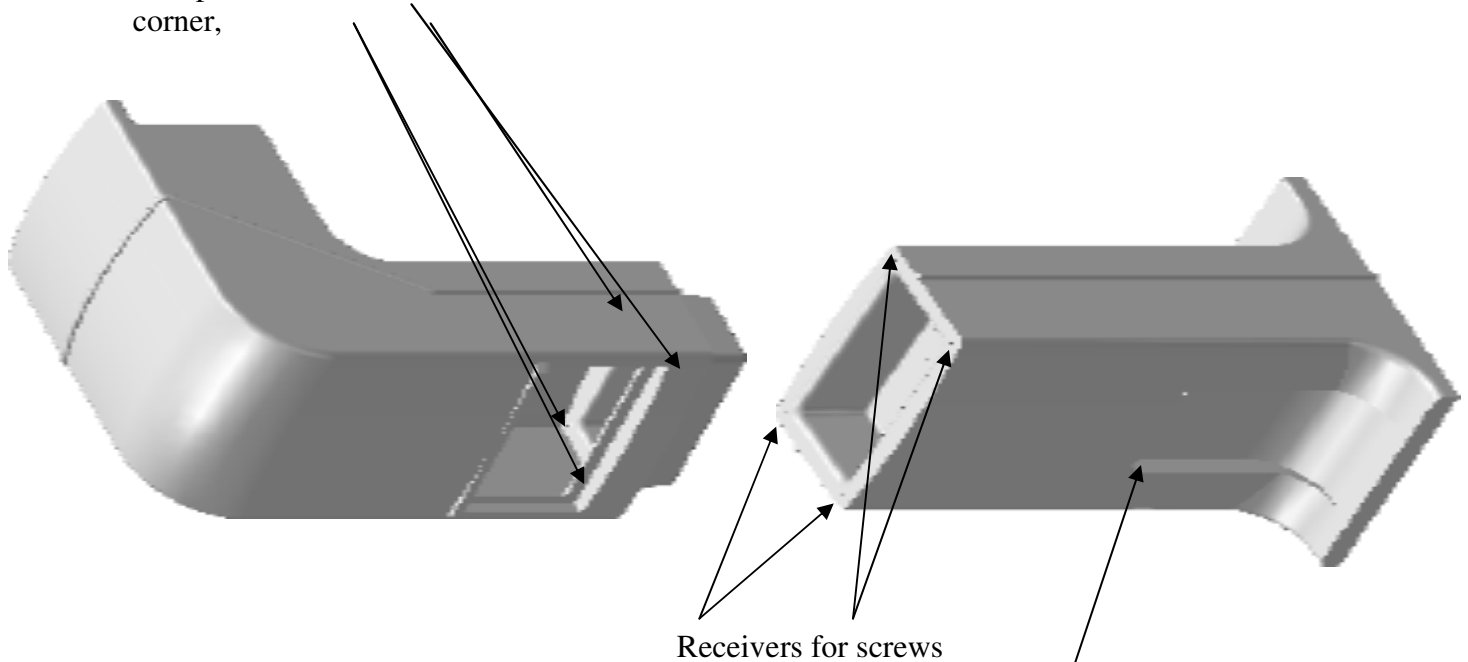
Since your new Mail Safe Mailbox comes partially pre-assembled (Flag and doors are already installed), all you need to do is attach the top half to the bottom half.



1. Remove the Part A (Upper) and Part B (Lower) from the box,
2. Set Part A on top of part B making sure the **Separations lines** line up in each side.



3. Open the **rear door** of the Mail Safe Mailbox and insert 1 screw w/washer in each corner,



4. Dig a hole approximately 14" x 24" wide and 12" deep.

5, You're New Mail Safe Mailbox is constructed with a pre-formed **Bury-Line** that is pre measured to the correct installation height. (38" to 42") and does not need any additional material to make it solid.

Simply set it in the ground, replace the dirt, and let it set for a few days to become solid.



800-824-9985

www.MailboxWorks.com