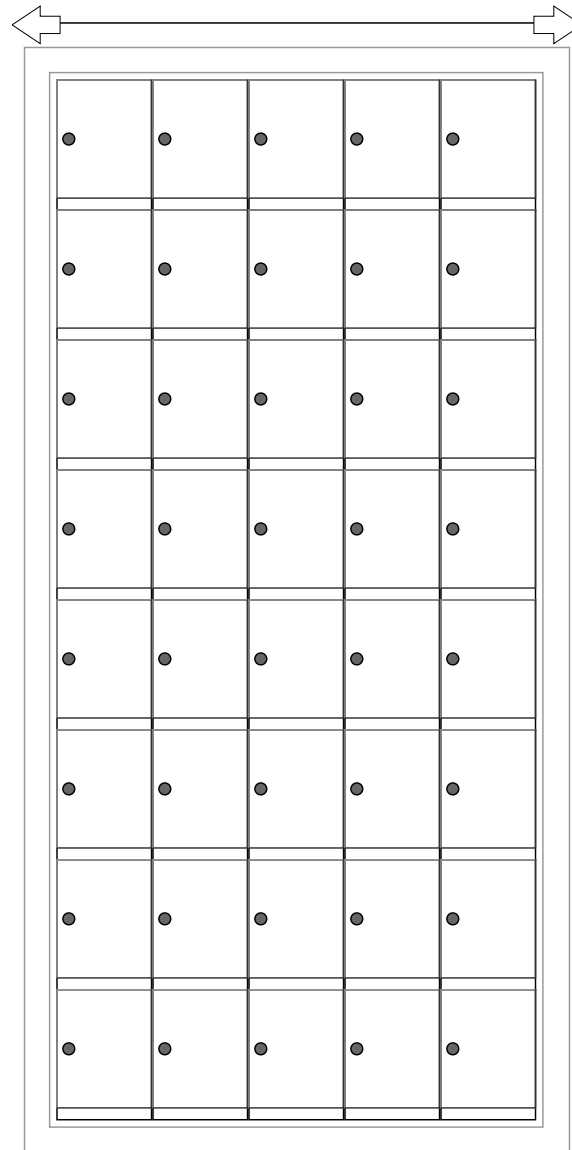


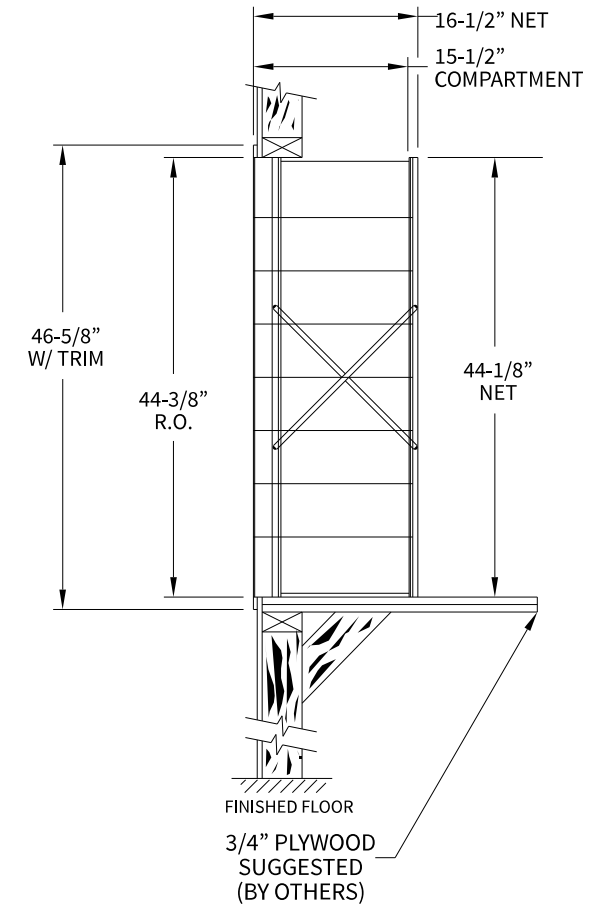
170085 Dimensions

Overall Width w/ Trim: 24-3/8"
(Rough Opening: 22-1/8")



170085

Side View



Configuration Details:

1. **Product Type:** 1700 Horizontal
2. **Installation:** Rear-load, Recessed Mount
3. **Finish:** Anodized Aluminum
4. **Locks:** Standard Cam Lock, 2 keys
5. **Door Id:** tbd
6. **Rear Cover:** tbd

Matching standard snap-on trim included

Models Used:

(1) 170085

DO NOT SCALE OFF DRAWING

Door Sizes Used:

(40) 1700 1x1 Compartment

ELEVATION: 170085 | **MAILBOXES:** 40 |

PROJECT NAME: 1700 Series Mailbox

DRAWN BY: FLORENCE

The Mailbox Works

1743 Quincy Ave. Suite 151
Naperville, IL 60540
800-824-9985
www.MailboxWorks.com

DATE: 01-15-2016

P.O. NO:

SCALE: NONE

QUOTE NO:

DRAWING NO. WEB-1932

SHEET 1 OF 1