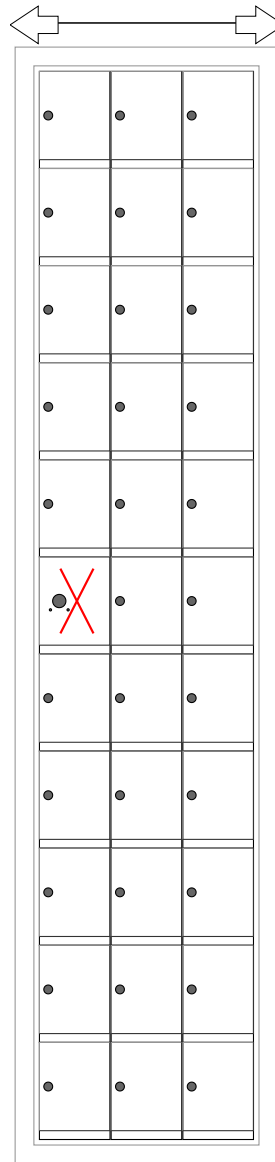


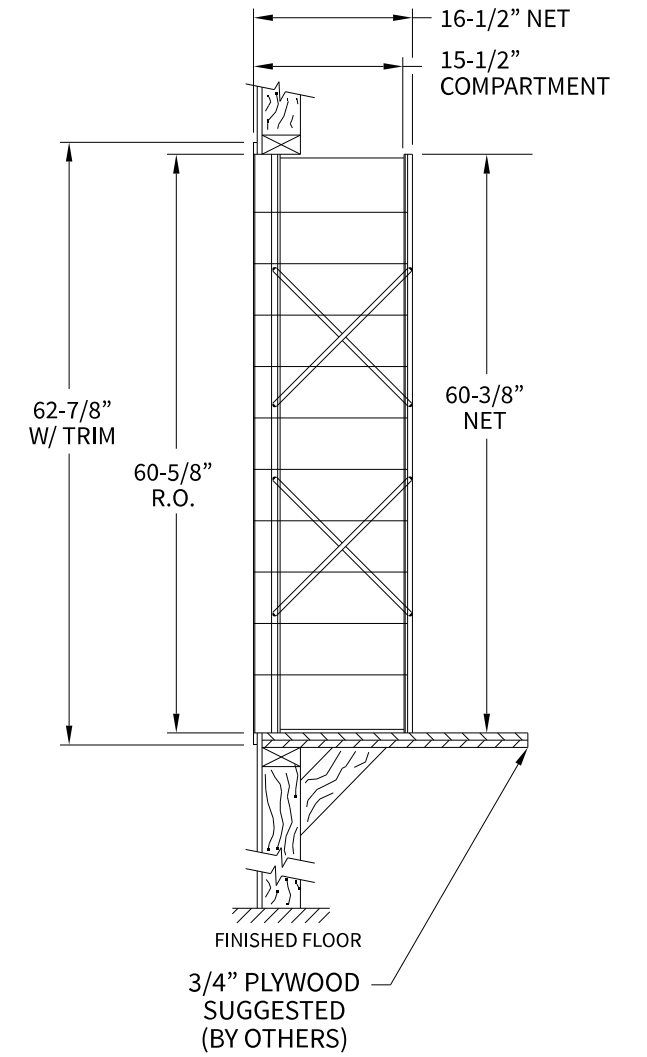
1600113 Dimensions

Overall Width w/ Trim: 16-1/4"
(Rough Opening: 14")



1600113

Side View



Configuration Details:

1. **Product Type:** 1600 Horizontal
2. **Installation:** Front-load, Recessed Mount
3. **Finish:** Anodized Aluminum
4. **Locks:** Standard Cam Lock, 2 keys
5. **Door Id:** tbd

Matching standard snap-on trim included

Models Used:

(1) 1600113

DO NOT SCALE OFF DRAWING

Door Sizes Used:

(32) 1600 1x1 Compartment
(1) 1x1 Master

ELEVATION: 1600113 | **MAILBOXES:** 32 |

PROJECT NAME: 1600 Series Mailbox | **DRAWN BY:** FLORENCE



1743 Quincy Ave. Suite 151
Naperville, IL 60540
800-824-9985
www.MailboxWorks.com

DATE: 01-15-2016	P.O. NO:
SCALE: NONE	QUOTE NO:
DRAWING NO. WEB-1932	SHEET 1 OF 1