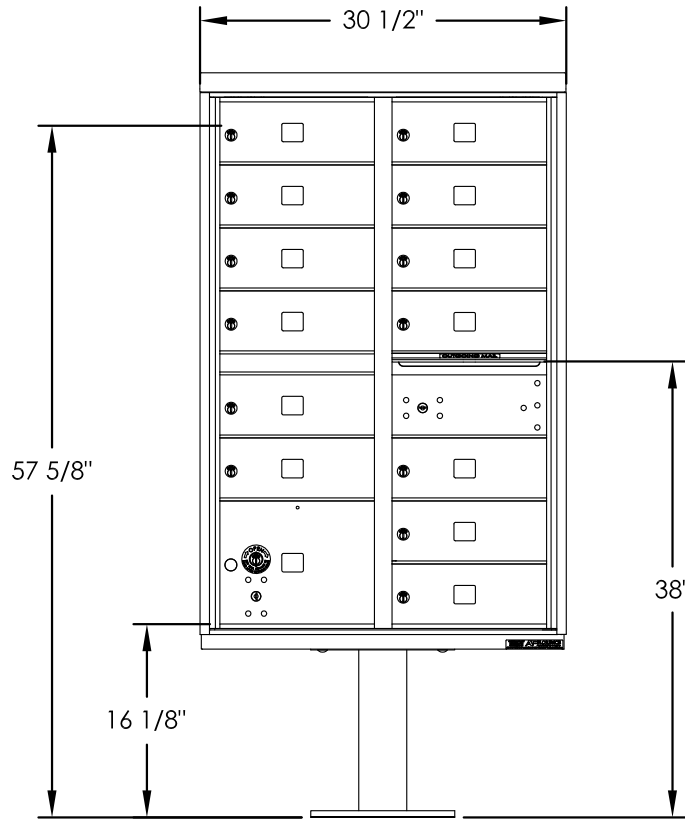
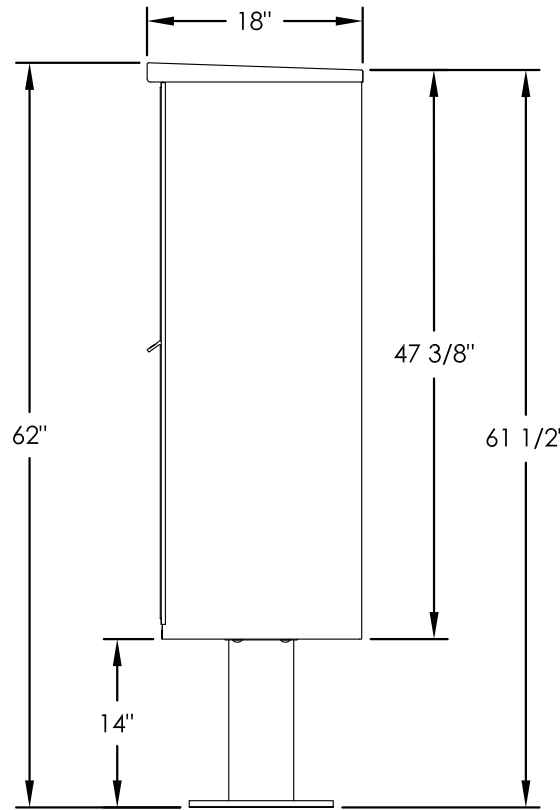


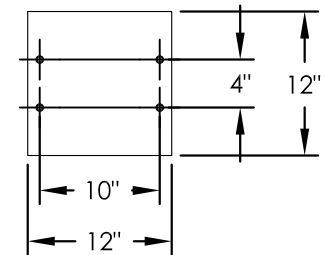
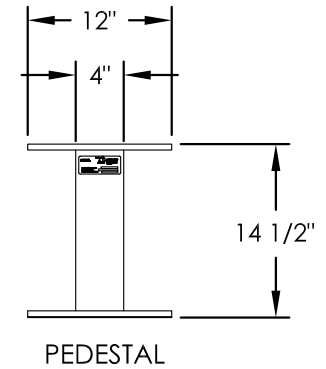
vital™ Cluster Box Unit - Type IV



FRONT VIEW



SIDE VIEW



PEDESTAL BASE BOLT PATTERN

DOOR CHART

| DOOR TYPE | DIMENSION (HEIGHT x WIDTH) |
|---------------|----------------------------|
| TENANT | 5" x 12-13/16" |
| 10" PARCEL | 10-1/4" x 12-13/16" |
| OUTGOING SLOT | 3/4" x 11-3/4" |

NOTES:

1. This unit is approved for USPS and private applications.
2. Decorative mailbox accessories sold separately and are USPS Approved products.
3. CBU pedestal should be installed with included Rubber Pad; mounting hardware not included, refer to installation manual for recommendation.
4. Florence "F" series CBU is Officially Licensed by USPS. License#CDSEQ-08-B-0012

PRODUCT SERIES: vital™ CLUSTER BOX UNIT

The Mailbox Works

1743 Quincy Ave. Suite 151
Naperville, IL 60540
800-824-9985
www.MailboxWorks.com

| | |
|--------------------------|-------------------------|
| MODEL 1570-13 | REV A |
| SCALE NONE | LAST REV DATE 9/26/2012 |
| DRAWING NUMBER 1570-13CS | DRAWN BY AFD |