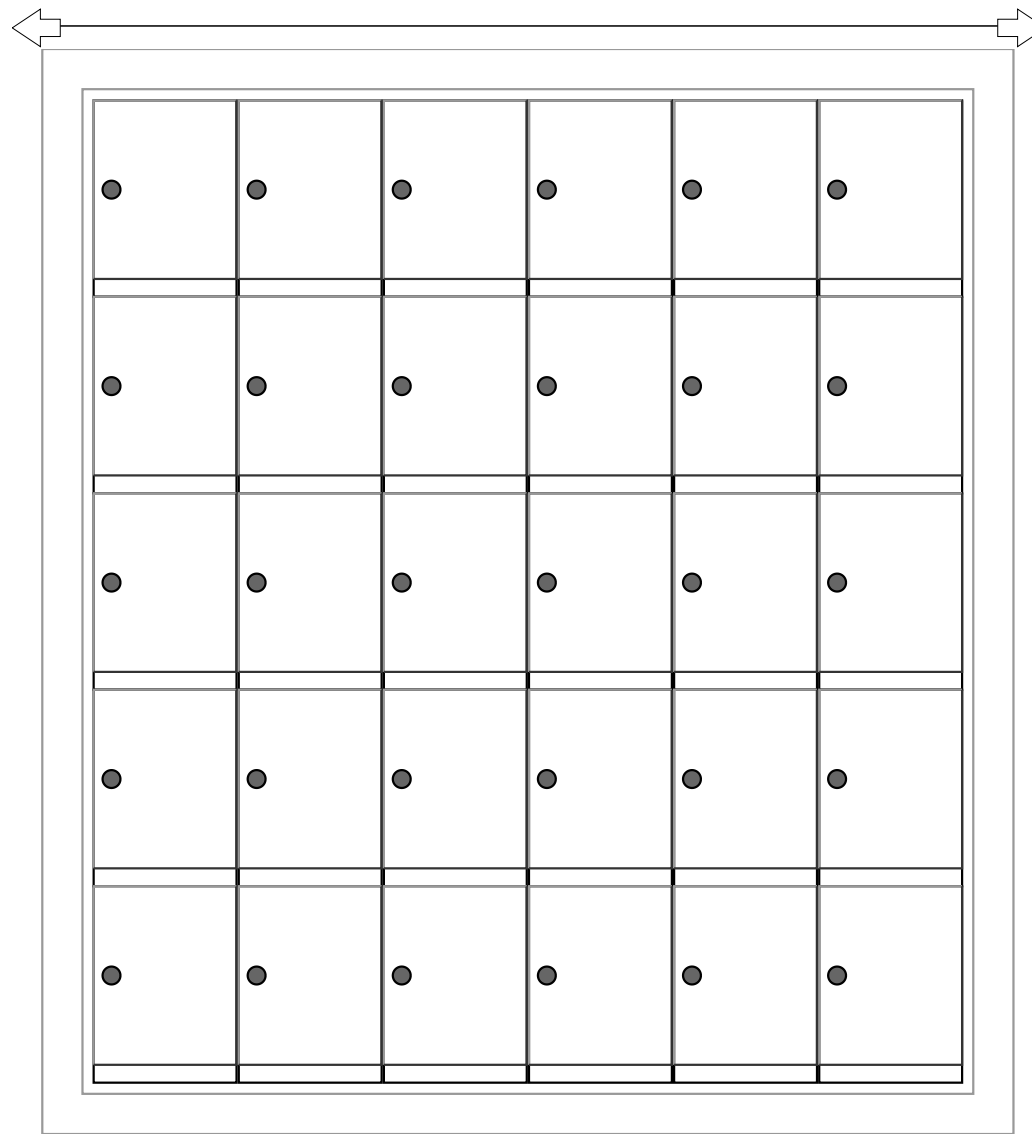


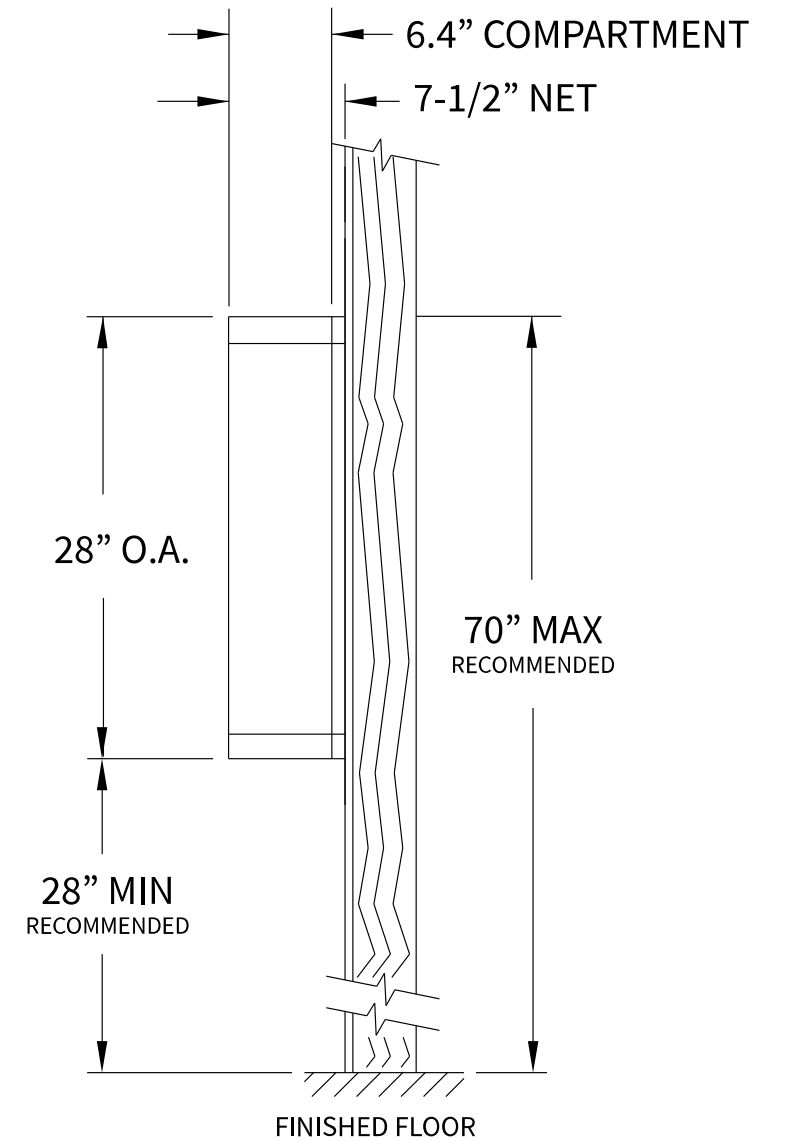
MINI56S Dimensions

Overall Width w/ Trim: 28-7/16"



MINI56S

Side View



Configuration Details:

- 1. **Product Type:** Mini Storage Locker
- 2. **Installation:** No Master Access, Surface Mount
- 3. **Finish:** Anodized Aluminum
- 4. **Locks:** Standard Cam Lock, 2 keys
- 5. **Door Id:** tbd

Matching standard snap-on trim included

Models Used:

(1) MINI56S

Door Sizes Used:

(30) MINI-A 1x1 Compartment

DO NOT SCALE OFF DRAWING

ELEVATION: MINI56S | **LOCKERS:** 30 |

PROJECT NAME: Mini Storage Lockers

DRAWN BY: FLORENCE



1743 Quincy Ave. Suite 151
Naperville, IL 60540
800-824-9985
www.MailboxWorks.com

DATE: 01-15-2016

P.O. NO:

SCALE: NONE

QUOTE NO:

DRAWING NO. WEB-1932

SHEET 1 OF 1