

# vogue™ Traditional Series Pedestal Cover

## Installation Instructions

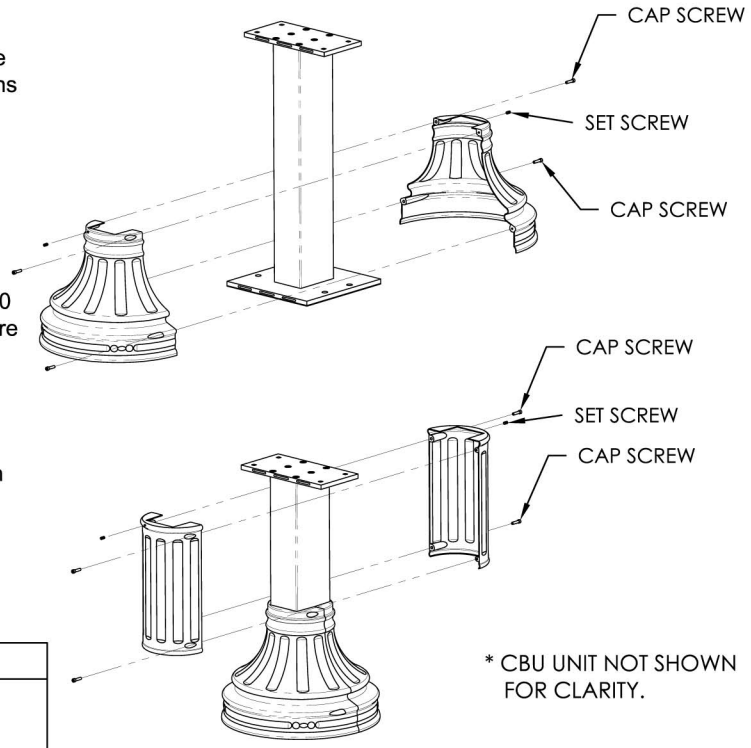
**1** These instructions assume that you have already properly installed the vital™ Cluster Box Unit (CBU 1570 Series). If the CBU has not yet been installed, please refer to the instructions that came with the vital™ CBU.

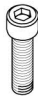

**2** For all CBU Types:  
Attach the Decorative Base unit to the CBU post as shown using four of the 1/4-20 X 1" cap screws.



Secure the base against the CBU post using two of the 1/4-20 x 5/8" headless set screws. Do not over tighten and make sure all screws are tightened evenly.

**3** Additional step for CBU Types I, II and V:  
Attach the Decorative Column unit to the CBU post as shown using four of the 1/4-20 X 1" cap screws.

Secure the column against the CBU post using two of the 1/4-20 X 5/8" headless set screws. Do not over tighten and make sure all screws are tightened evenly.



HARDWARE	
	1/4-20 X 1" CAP SCREW (8)
	1/4-20 X 5/8" SET SCREW (4)

TOOLS	
	3/16" ALLEN WRENCH (1) 1/8" ALLEN WRENCH (1)
	

PRODUCT SERIES: VOGUE™ TRADITIONAL SERIES PEDESTAL COVER INSTALLATION INSTRUCTIONS			
<b>The Mailbox Works</b>			
800-824-9985 www.MailboxWorks.com			
MODEL	TRAD PED	REV	A
SCALE	NONE	LAST REV DATE 8/2/2013	
DRAWING NUMBER		DRAWN BY	
91551		AFD	