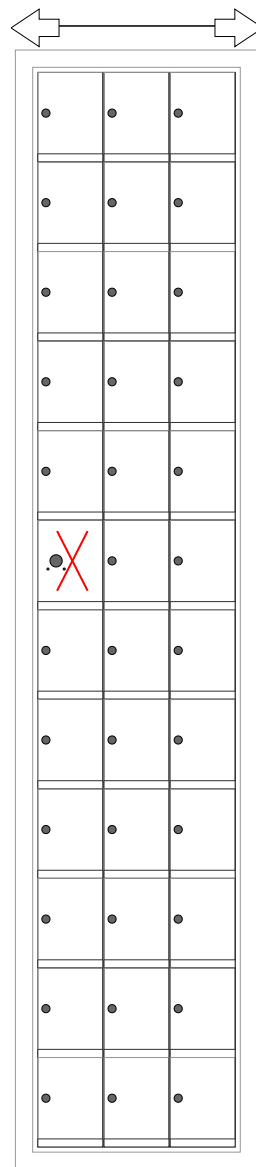


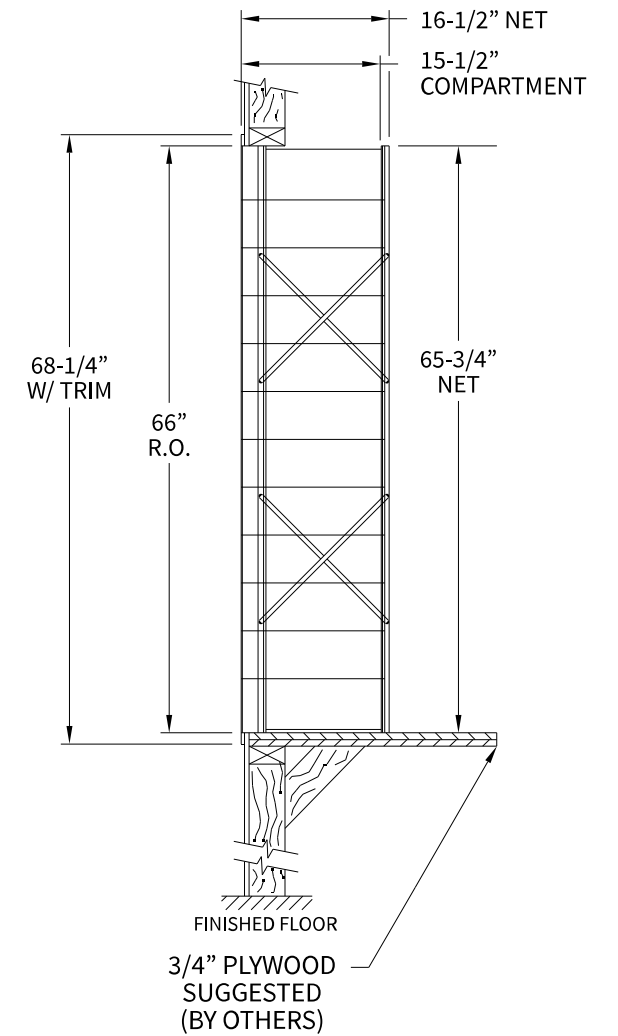
**1600123 Dimensions**

Overall Width w/ Trim: 16-1/4"  
(Rough Opening: 14")



1600123

**Side View**



**Configuration Details:**

1. **Product Type:** 1600 Horizontal
2. **Installation:** Front-load, Recessed Mount
3. **Finish:** Anodized Aluminum
4. **Locks:** Standard Cam Lock, 2 keys
5. **Door Id:** tbd

Matching standard snap-on trim included

**Models Used:**

(1) 1600123

**DO NOT SCALE OFF DRAWING**

**Door Sizes Used:**

(35) 1600 1x1 Compartment  
(1) 1x1 Master

**ELEVATION:** 1600123 | **MAILBOXES:** 35 |

**PROJECT NAME:** 1600 Series Mailbox | **DRAWN BY:** FLORENCE



1743 Quincy Ave. Suite 151  
Naperville, IL 60540  
800-824-9985  
www.MailboxWorks.com

<b>DATE:</b> 01-15-2016	<b>P.O. NO:</b>
<b>SCALE:</b> NONE	<b>QUOTE NO:</b>
<b>DRAWING NO.</b> WEB-1932	<b>SHEET 1 OF 1</b>