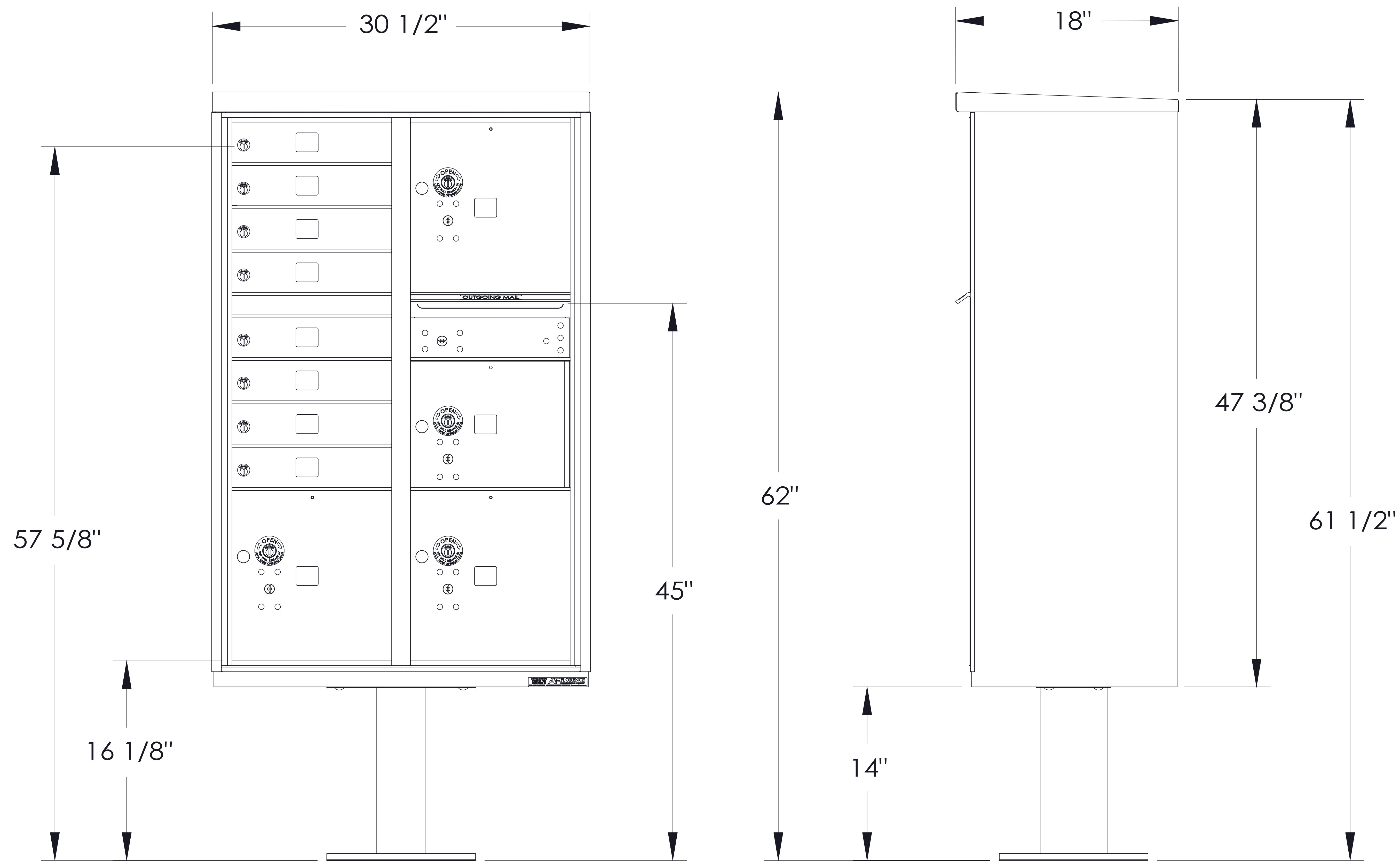
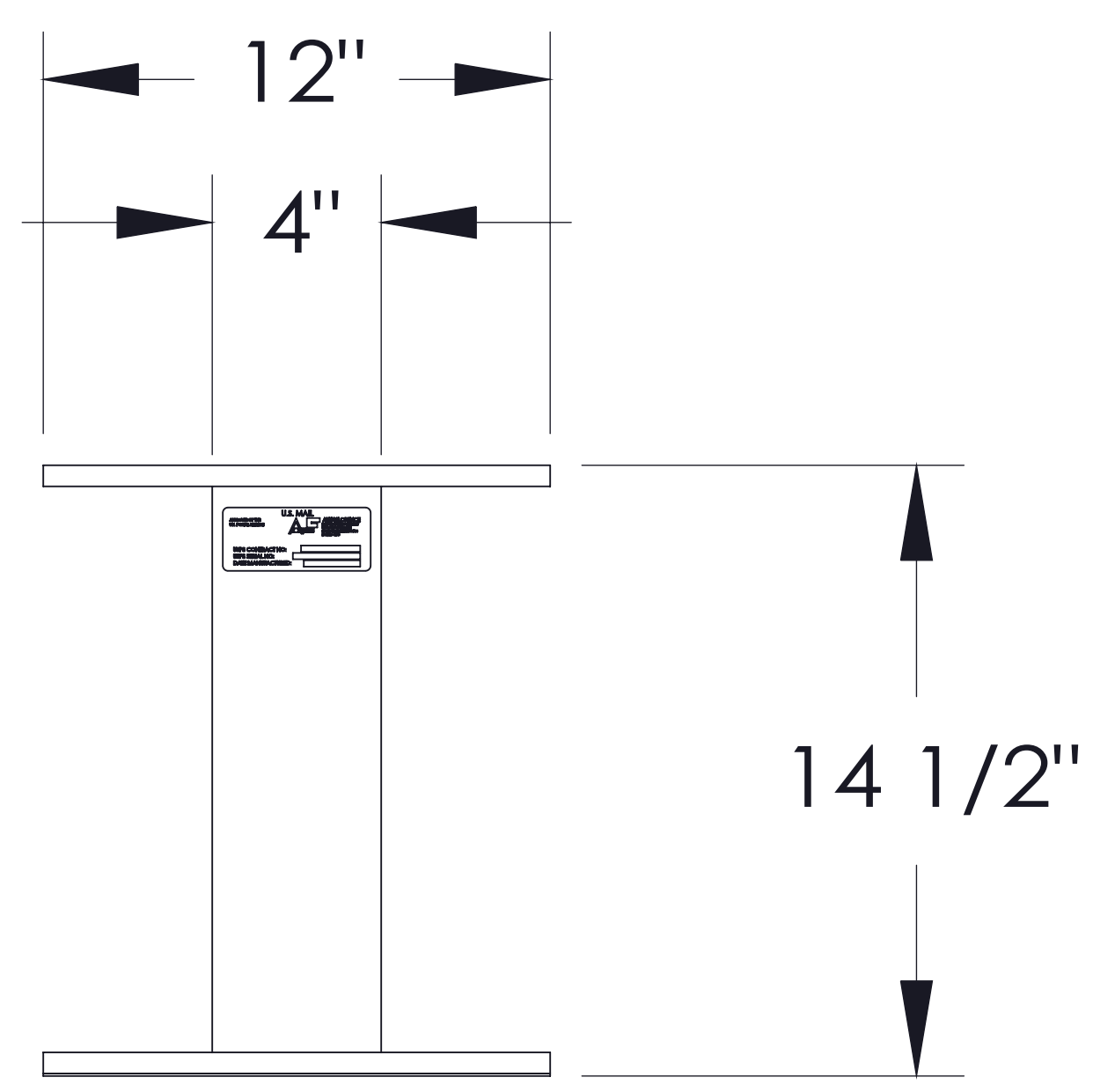


vital™ Cluster Box Unit - Type VI

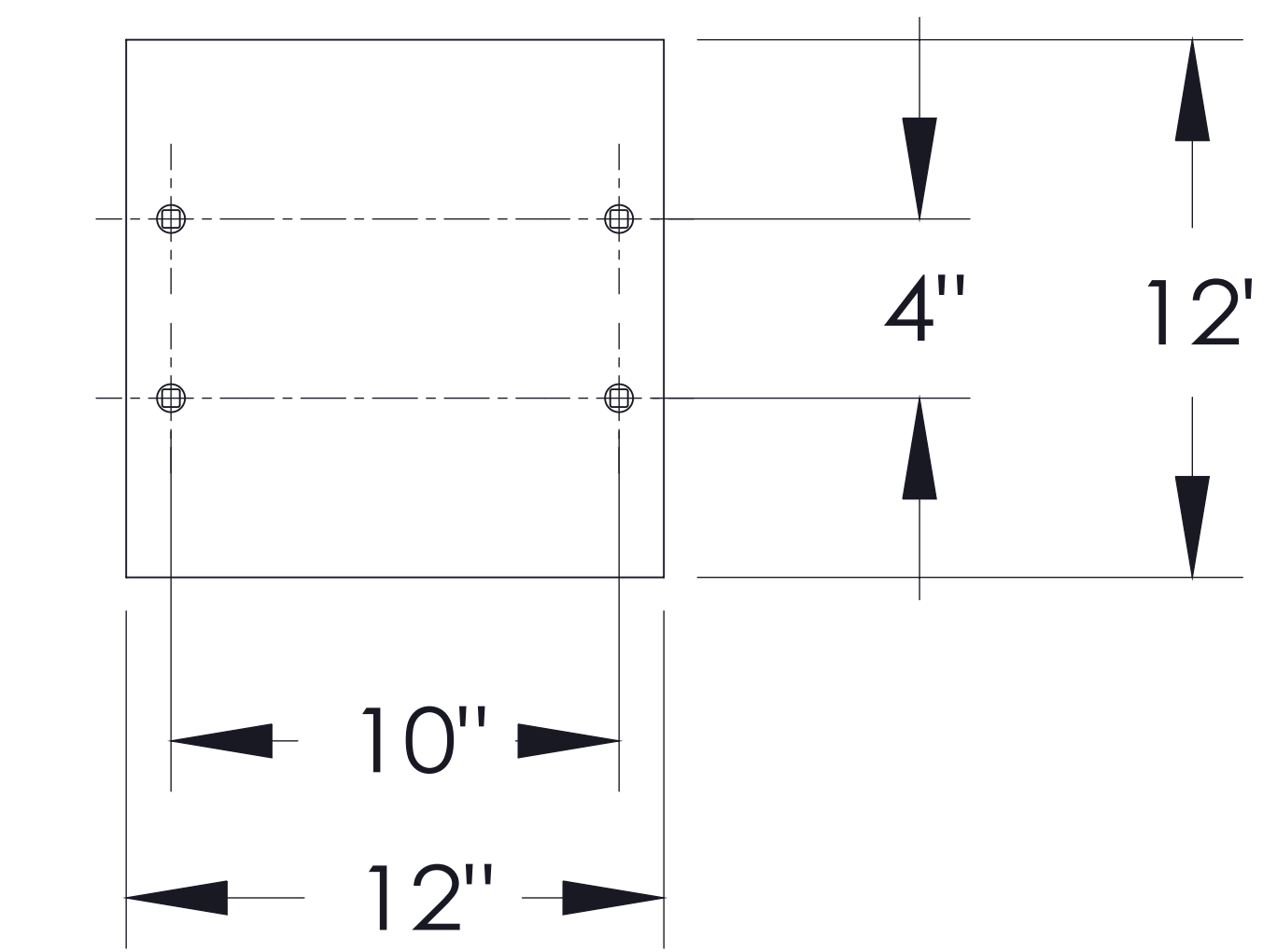


FRONT VIEW

SIDE VIEW



PEDESTAL



PEDESTAL BASE
BOLT PATTERN

DOOR CHART

DOOR TYPE	DIMENSION (HEIGHT x WIDTH)
TENANT	3-3/8"x12-13/16"
10" PARCEL	10-1/4"x12-13/16"
13" PARCEL	13-3/4"x12-13/16"
OUTGOING SLOT	3/4"x11-3/4"

NOTES:

1. This unit is approved for USPS and private applications.
2. Decorative mailbox accessories sold separately and are USPS Approved products.
3. Pedestal should be installed with included Rubber Pad; mounting hardware not included, refer to installation manual for recommendations.
4. Florence "F" series CBU is Officially Licensed by USPS:
License#CDSEQ-08-B-0012

PRODUCT SERIES: vital™ CLUSTER BOX UNIT

MODEL	1570-8T6	REV	A
SCALE	NONE	LAST REV DATE	9/26/2012
DRAWING NUMBER	1570-8T6CS	DRAWN BY	AFD