

To attach your Personalized Address and Door Plaques to your Whitehall Mailbox

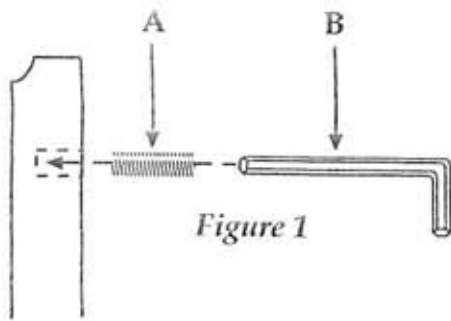


Figure 1

- A - Threaded Studs - 7
- B - Allen Wrench - 1
- C - Door Plaque - 1
- D - Side Plaques - 2
- E - Acorn Nuts - 7
- F - Tube of Silicon Sealer - 1

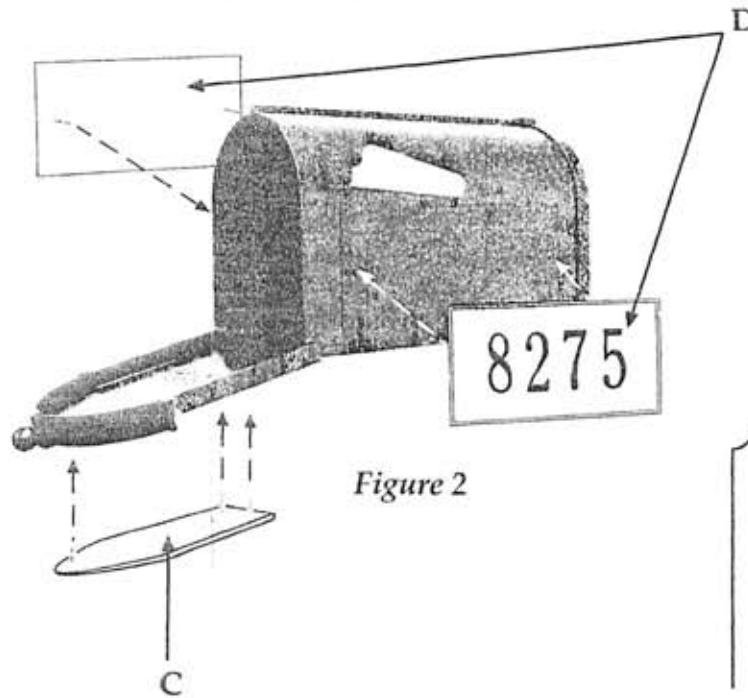


Figure 2

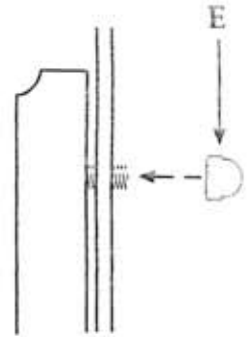


Figure 3

To attach your Personalized Address Plaques to your Whitehall Mailbox:

- 1) Locate screw position marks on side of mailbox body and on inside of door panel.
- 2) Drill holes through the mailbox walls with No. 7 or 3/16" drill.
- 3) Apply a small amount of Silicon Sealer (F) in and around the holes in the back side of the door and side plaques. Insert threaded studs (A) into the back side of the door and side plaques. Tighten with allen wrench (B). (See Figure 1)
- 4) Position the side plaques (D) so the studs are pushed through the holes in the mailbox wall and the plaque is located within the border. (See Figure 2)
- 5) Apply a small amount of Silicon Sealer (F) to the inside of the mailbox around the studs where they come through the mailbox wall. Using the acorn nuts provided (E), secure the plaques from the inside of the mailbox. (See Figure 3) (Pliers or a small socket wrench are helpful)
- 6) Repeat Steps 4 and 5 for the door plaque (C). (See Figure 2)

Cleaning Instructions:

Whitehall Mailboxes and Accessories are made of hand-cast aluminum with tough finishes to withstand exposure to the elements. To clean your Whitehall Product, use a non-abrasive detergent and water with a cloth, sponge, or soft brush. The simulated weathered bronze cannot be brightened by polishing. This hand-painted finish should retain its finish for many years without special attention.