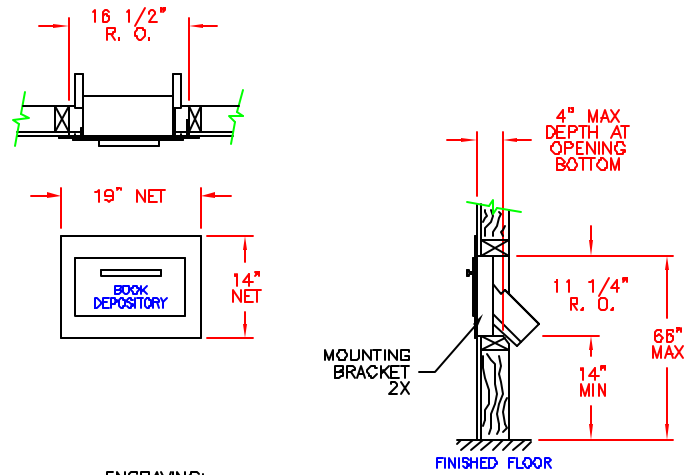


CC11RL BOOK DEPOSITORY INSTALLATION CUT SHEET



MATERIALS:
 -HOPPER DOOR: 1/4" ALUMINUM
 -FRONT PLATE: 1/4" ALUMINUM

FINISHES:
 -CLEAR ANODIZE
 -GOLD POWDER COAT
 -BRONZE POWDER COAT


CONSTRUCTION: WELDED

ENGRAVING:
 -1 1/8" HI (AS SHOWN)
 -OPTIONAL, AS SPECIFIED

HOPPER OPENING:
 -12" WIDE (MAX) x 5" HI (MAX)
 (NOTE: EFFECTIVE HOPPER OPENING
 HEIGHT DECREASES AS PARCEL
 LENGTH INCREASES)

INSTALLATION NOTES:

1. FABRICATE WALL OPENING AT DESIRED LOCATION TO ROUGH OPENING DIMENSIONS AS SHOWN.
2. INSERT BOOK DEPOSITORY INTO OPENING.
3. DRILL HOLES THROUGH MOUNTING BRACKETS INTO FRAMING WHERE NEEDED FOR INSTALLATION.
4. IF NECESSARY, INSERT ANCHORS INTO MOUNTING HOLES.
5. MOUNT BOOK DEPOSITORY USING DESIRED FASTENERS.

CUSTOMER			
JOB			
	DATE	5-15-01	P.O. NO.
	SCALE	1/16:1	ORDER NO.
	DRAWING NUMBER	CS5066	DRAWN BY
AUTH - FLORENCE MANUFACTURING COMPANY 401 METZGER ROAD CLARKDALE, MISSISSIPPI 39313		DW	